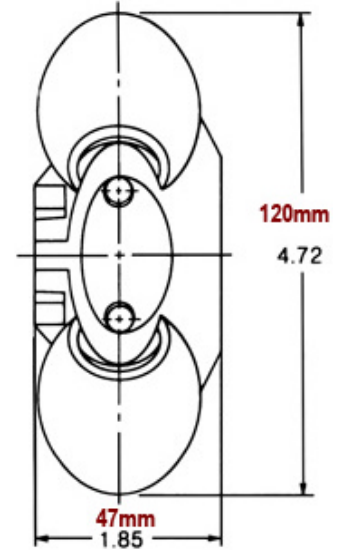
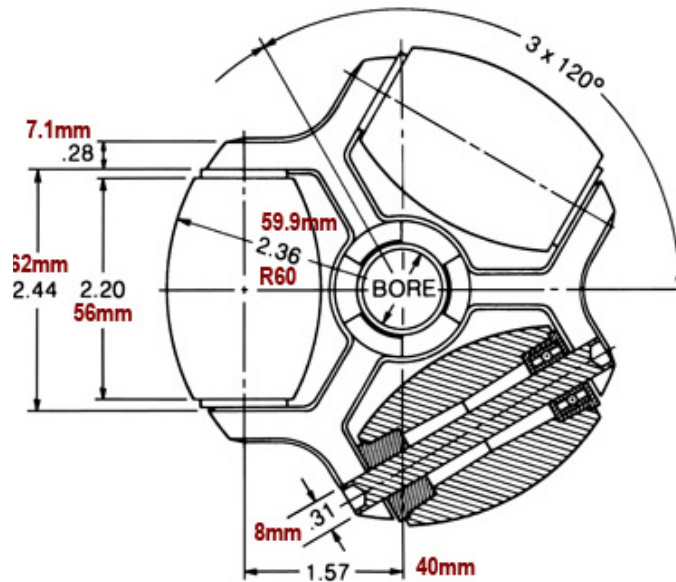


The 2530 Series Omniwheels

Heavy Duty Multi-directional Wheels

The 2530 Series Omniwheel Model #'s / Series:

RW8	Omni 2.538
RW12	Omni 2.532
RW16	Omni 2.537
RW27	Omni 2.530
RW28	Omni 2.538
RW32	Omni 2.532
RW37	Omni 2.538



Construction

The series 2530 Omniwheel barrels are made of die cast aluminum for manual systems; with polyurethane and rubber barrels also available for powered applications (to prevent slippage).

Mounting

Series 2530 Omniwheels feature die cast aluminum frame with built in keys for coupling multiple units. This arrangement provides maximum mounting flexibility to suit almost any transfer requirement.

Application

The series 2530 Omniwheels are well suited for use in heavy-duty manual or powered transfer systems.

Ordering Note:

Two Omniwheels must be used together to provide support over 360° of rotation. Please order accordingly.

